

PCR Paramount™

MODULAR CABLE RAILING SYSTEMS



Quality Materials
Residential or Commercial
Easy to Install

**Paramount Modular
Cable Railing Systems**

49 Stokes Drive
P. O. Box 20221
Carson City, NV 89721
775.887.1077
fax 775.887.1033



www.ParamountIron.cc

Paramount Modular Cable Railing Systems — Easy to order. Easy to install.

Paramount's modular cable railing systems are designed with simplicity in mind. The clean, smooth lines blend well with most decors and provide unobstructed views. Plus, our systems consist of recycled materials.

Choose all steel construction for superior strength and durability. Or choose stainless steel for its maintenance-free beauty.

Square, rectangular or round — our systems use heavy wall end posts which allow for longer, more economical cable runs.

We have been fabricating and installing high quality cable railings since 1999. Let our experienced design team assist you with your project today!

Modular cable railing system components:



Pre-drilled post



Pivoting top rail attachment



Custom corner

Pre-drilled posts

Pivoting top rail attachment for all railings

Stainless steel fasteners

Ultra-tec® cable hardware*

Top rail in carbon steel or stainless steel (brushed or polished)

Custom fabricated top rail miter joints

Custom corner sections

Powder coat paint available

*Ultra-tec® is a registered trademark of The Cable Connection.

For more information, specifications, ordering:

www.ParamountIron.cc

email salespcr@aol.com

775.887.1077

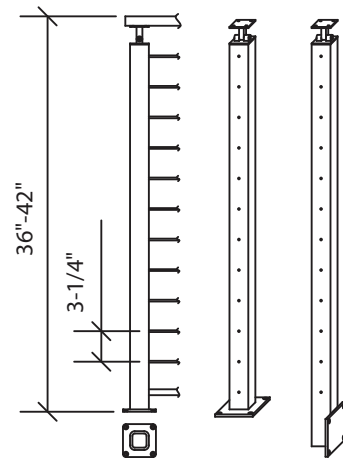
PCR **Paramount**
MODULAR CABLE RAILING SYSTEMS

49 Stokes Drive | P. O. Box 20221 | Carson City, NV 89721
775.887.1077 | fax 775.887.1033 | www.ParamountIron.cc

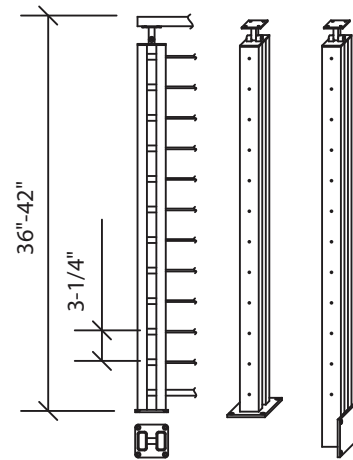


MEMBER

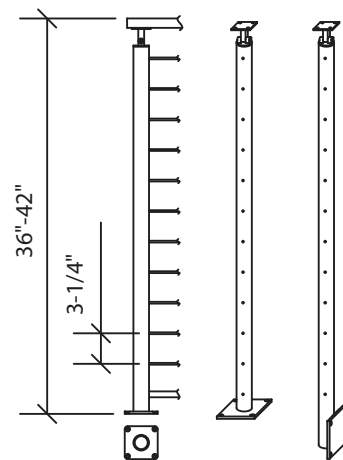
Post styles available:



2x2 square tube



2x1 double rectangular



1-1/4" and 1-1/2" pipe

www.ParamountIron.cc